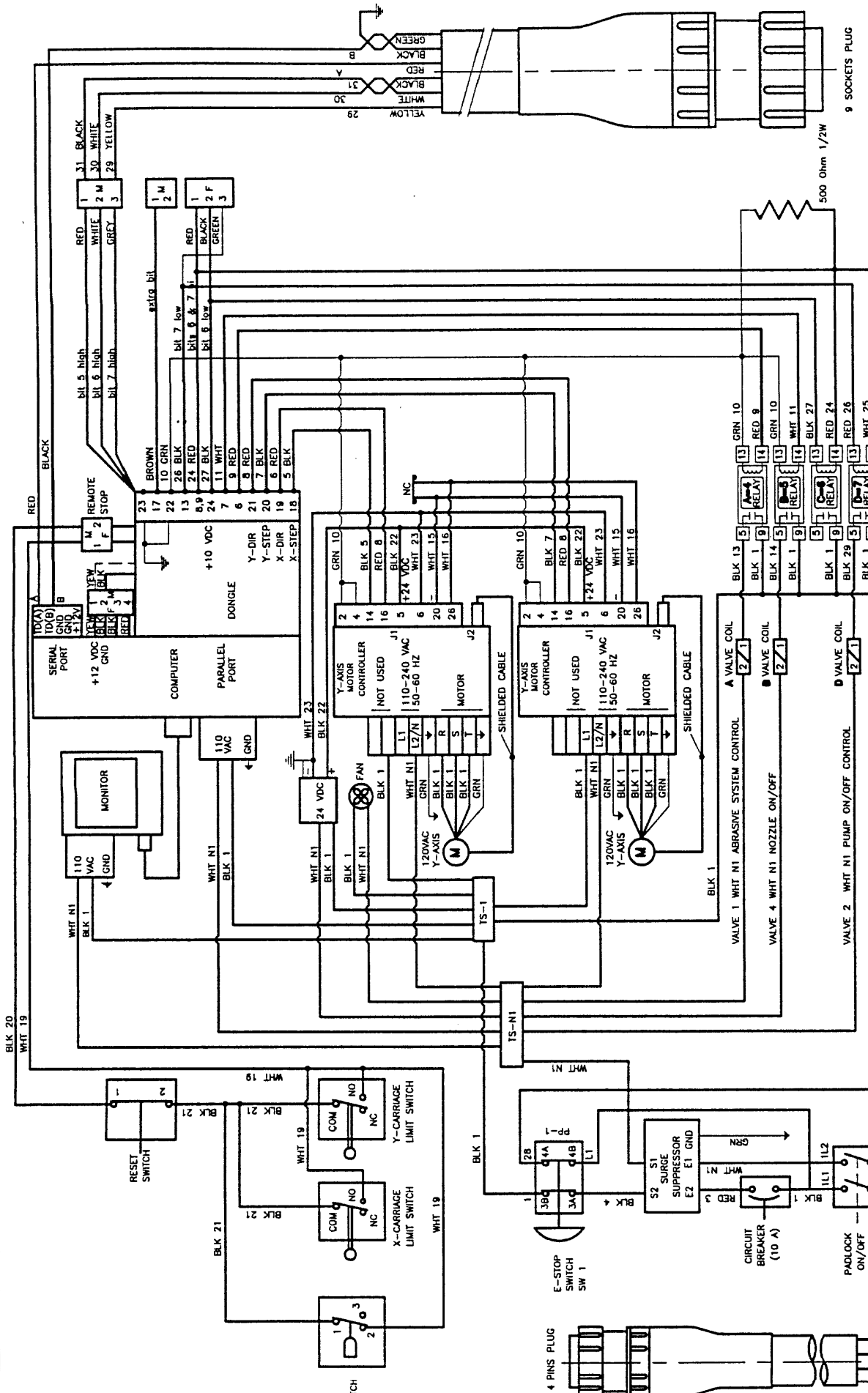




OMAX Circuit Drawings

The following pages contain drawings of OMAX electrical circuits.



OMAX

TITLE: SCHEMATIC, EL, COMPUTER CONTROL

DRAWING BY: DMITRY FELDMAN

DATE: 01/06/98

REVISED BY: JOHN H. OLSEN

DATE: 2/29/00

MATERIAL / SPECIFICATION

PROPRIETARY INFORMATION

THIS DRAWING IS THE PROPERTY OF OMAX CORPORATION AND NOT TO BE COPIED OR REPRODUCED WITHOUT THE WRITTEN CONSENT OF OMAX CORPORATION.

NOTES:

PROVIDE GROUND WIRE FROM GROUND TERMINAL BLOCK TO TANK USING #10 GREEN THIN OR THHW WIRE.

USE RING CONNECTOR ON TANK CONNECTION END.

SHEET 1 OF 1

CHANGE NO.

DWG NO. 301335H1

