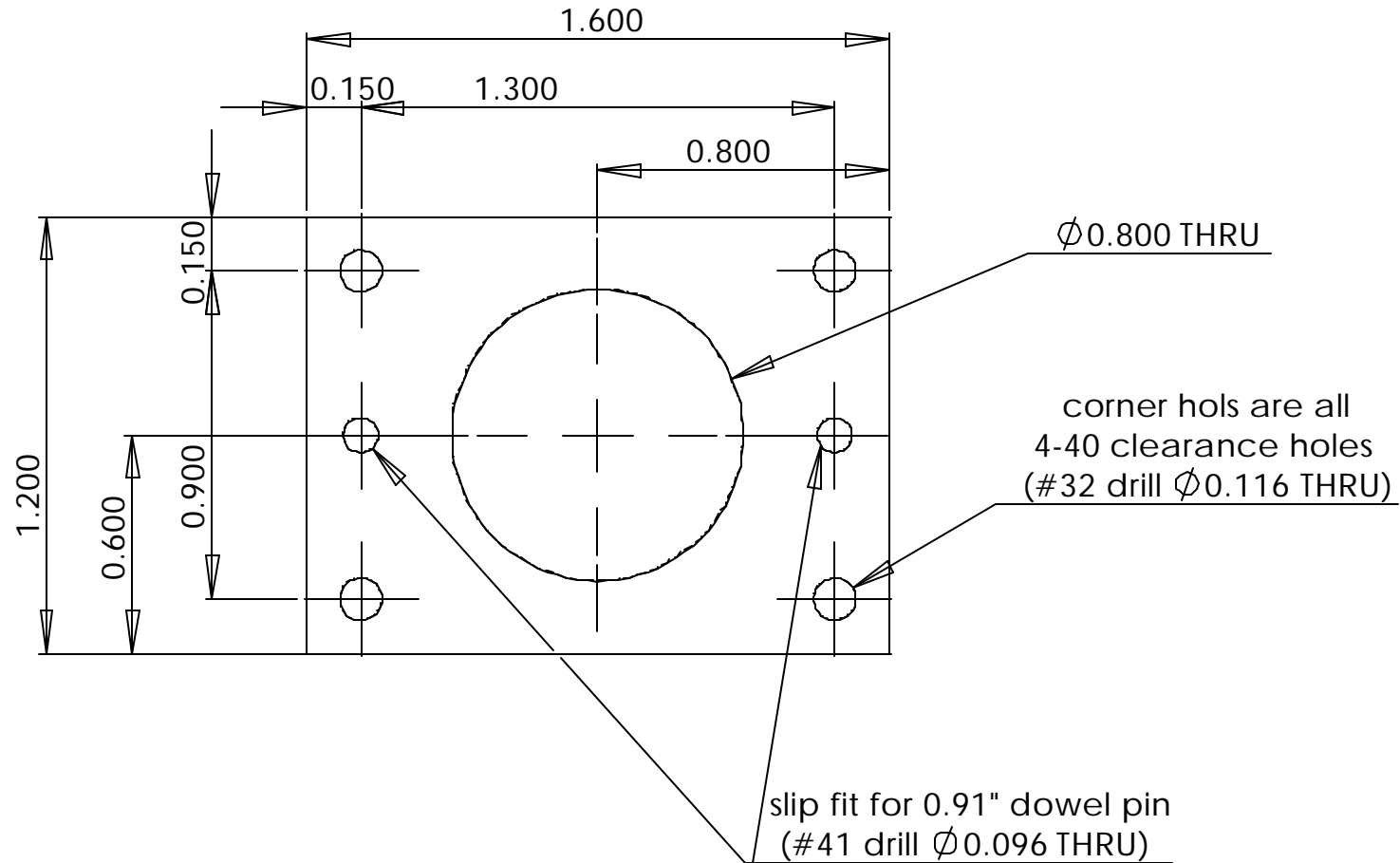


# Piezo Clamp TOP



## NOTES:

1. Drawing scale is 2:1 (2x enlargement)  
(all dimensions given in inches)
2. Machine from 1/8" thick aluminum

